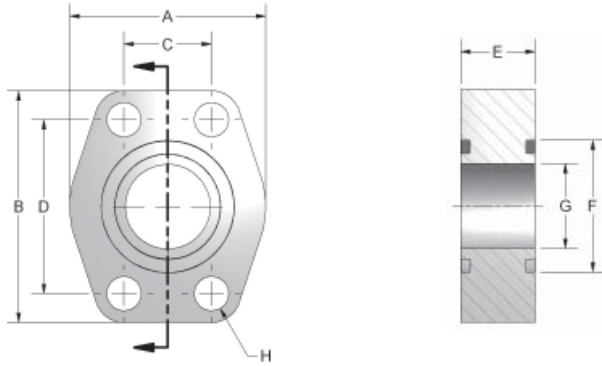
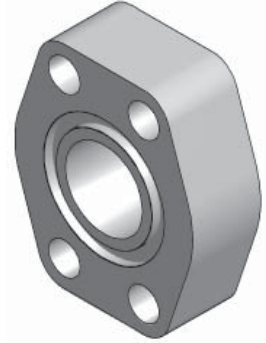


Used to connect two flat faced flanges.



| CODE 61 DOUBLE O-RING SPACER | | | | | | | | | |
|------------------------------|----------|-------|-------|-------|-------|-------|-------|-------|------|
| PART NO. | PAD SIZE | A | B | C | D | E | F | G | H |
| ADOS-8-8 | .50 | 1.813 | 2.125 | .688 | 1.50 | .750 | 1.000 | .502 | .344 |
| ADOS-12-12 | .75 | 2.063 | 2.563 | .875 | 1.875 | .750 | 1.250 | .752 | .406 |
| ADOS-16-16 | 1.00 | 2.313 | 2.750 | 1.031 | 2.063 | .880 | 1.560 | 1.002 | .406 |
| ADOS-20-20 | 1.25 | 2.875 | 3.125 | 1.188 | 2.313 | .940 | 1.750 | 1.252 | .469 |
| ADOS-24-24 | 1.50 | 3.250 | 3.688 | 1.406 | 2.750 | 1.190 | 2.115 | 1.502 | .531 |
| ADOS-32-32 | 2.00 | 3.813 | 4.000 | 1.688 | 3.063 | 1.44 | 2.490 | 2.002 | .531 |
| ADOS-40-40 | 2.50 | 4.281 | 4.500 | 2.000 | 3.500 | 1.815 | 2.995 | 2.502 | .531 |
| ADOS-48-48 | 3.00 | 5.156 | 5.313 | 2.438 | 4.188 | 2.190 | 3.615 | 3.002 | .656 |
| ADOS-56-56 | 3.50 | 5.500 | 6.000 | 2.750 | 4.750 | 1.440 | 4.095 | 3.502 | .656 |
| ADOS-64-64 | 4.00 | 6.00 | 6.38 | 3.062 | 5.125 | 1.44 | 4.595 | 4.002 | .656 |

| CODE 62 DOUBLE O-RING SPACER | | | | | | | | | |
|------------------------------|----------|------|------|-------|-------|-------|-------|-------|-------|
| PART NO. O-RING | PAD SIZE | A | B | C | D | E | F | G | H |
| ADOSX-8-8 | .500 | 1.94 | 2.30 | .718 | 1.594 | 1.25 | 1.000 | .502 | .344 |
| ADOSX-12-12 | .750 | 2.50 | 2.95 | .937 | 2.000 | 1.250 | 1.250 | .752 | .406 |
| ADOSX-16-16 | 1.00 | 2.75 | 3.19 | 1.093 | 2.250 | 1.500 | 1.560 | 1.002 | .492 |
| ADOSX-20-20 | 1.25 | 3.06 | 3.75 | 1.250 | 2.625 | 1.430 | 1.750 | 1.252 | .531 |
| ADOSX-24-24 | 1.50 | 3.75 | 4.44 | 1.437 | 3.125 | 1.815 | 2.115 | 1.502 | .656 |
| ADOSX-32-32 | 2.00 | 4.50 | 5.25 | 1.750 | 3.812 | 1.815 | 2.490 | 2.002 | .781 |
| ADOSX-40-40 | 2.50 | 5.87 | 6.87 | 2.312 | 4.875 | 1.930 | 2.995 | 2.502 | .906 |
| ADOSX-48-48 | 3.00 | 7.00 | 8.50 | 2.812 | 6.000 | 2.69 | 3.615 | 3.002 | 1.156 |

FLOW, NEEDLE & CHECK VALVES

HYDRAULIC BALL VALVES

WELD COUPLINGS

FLANGES