

Figure 1

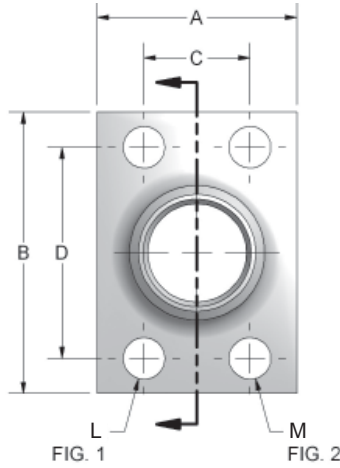


FIG. 1 FIG. 2

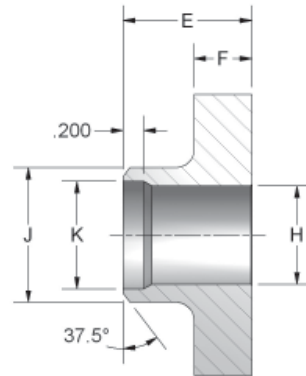
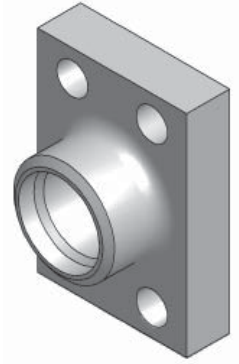


Figure 2



FLOW, NEEDLE & CHECK VALVES

HYDRAULIC BALL VALVES

WELD COUPLINGS

FLANGES

CODE 61 BUTT WELD - SCHEDULE 40 PIPE

PART NO. O-RING FIG. 1	PART NO. FLAT FACE FIG. 2	PIPE SIZE	PAD SIZE	A	B	C	D	E	F	G	H	J	K	L	M UNC-2B	MOUNTING HARDWARE	
																O-RING	SHCS
W35-8-SS	W34-8-SS	.50	.50	1.47	2.09	.688	1.500	1.06	.50	1.000	.548	.840	.624	.344	5/16-18	210	5/16-18X1.25
W35-12-SS	W34-12-SS	.75	.75	1.69	2.56	.875	1.875	1.06	.50	1.250	.744	1.050	.826	.406	3/8-16	214	3/8-16X1.25
W35-16-SS	W34-16-SS	1.00	1.00	1.94	2.75	1.031	2.062	1.25	.56	1.560	.959	1.315	1.051	.406	3/8-16	219	3/8-16X1.25
W35-20-SS	W34-20-SS	1.25	1.25	2.19	3.12	1.188	2.312	1.44	.62	1.750	1.280	1.660	1.382	.469	7/16-14	222	7/16-14X1.50
W35-24-SS	W34-24-SS	1.50	1.50	2.56	3.69	1.406	2.750	1.75	.81	2.115	1.502	1.900	1.612	.531	1/2-13	225	1/2-13X1.75
W35-32-SS	W34-32-SS	2.00	2.00	3.06	4.00	1.688	3.062	2.00	1.06	2.490	1.941	2.375	2.069	.531	1/2-13	228	1/2-13X2.00
W35-40-SS	W34-40-SS	2.50	2.50	3.56	4.50	2.000	3.500	2.31	1.12	2.995	2.325	2.875	2.471	.531	1/2-13	232	1/2-13X2.00
W35-48-SS	W34-48-SS	3.00	3.00	4.19	5.31	2.438	4.188	2.75	1.62	3.615	2.902	3.500	3.070	.656	5/8-11	237	5/8-11X2.75

CODE 61 BUTT WELD - SCHEDULE 80 PIPE

PART NO. O-RING FIG. 1	PART NO. FLAT FACE FIG. 2	PIPE SIZE	PAD SIZE	A	B	C	D	E	F	G	H	J	K	L	M UNC-2B	MOUNTING HARDWARE	
																O-RING	SHCS
W24-8-SS	W23-8-SS	.50	.50	1.50	2.12	.688	1.500	1.06	.50	1.000	.546	.840	SCHEDULE 40 ONLY	.344	5/16-18	210	5/16-18X1.25
W24-12-SS	W23-12-SS	.75	.75	1.69	2.56	.875	1.875	1.06	.50	1.250	.752	1.050		.406	3/8-16	214	3/8-16X1.25
W24-16-SS	W23-16-SS	1.00	1.00	1.94	2.75	1.031	2.062	1.25	.56	1.560	.959	1.315		.406	3/8-16	219	3/8-16X1.25
W24-20-SS	W23-20-SS	1.25	1.25	2.19	3.12	1.188	3.312	1.44	.62	1.750	1.280	1.660		.469	7/16-14	222	7/16-14X1.50
W24-24-SS	W23-24-SS	1.50	1.50	2.56	3.69	1.406	2.750	1.75	.81	2.115	1.502	1.900		.531	1/2-13	225	1/2-13X1.75
W24-32-SS	W23-32-SS	2.00	2.00	3.06	4.00	1.688	3.062	2.00	1.06	2.490	1.941	2.375		.531	1/2-13	228	1/2-13X2.00
W24-40-SS	W23-40-SS	2.50	2.50	3.56	4.50	2.000	3.500	2.31	1.12	2.995	2.325	2.875		.531	1/2-13	232	1/2-13X2.00
W24-48-SS	W23-48-SS	3.00	3.00	4.19	5.31	2.438	4.188	2.75	1.62	3.615	2.902	3.500		.656	5/8-11	237	5/8-11X2.75

CODE 61 BUTT WELD - SCHEDULE 160 PIPE

PART NO. O-RING FIG. 1	PART NO. FLAT FACE FIG. 2	PIPE SIZE	PAD SIZE	A	B	C	D	E	F	G	H	J	K	L	M UNC-2B	MOUNTING HARDWARE	
																O-RING	SHCS
W27-8-SS	W25-8-SS	.50	.50	1.50	2.12	.688	1.500	1.06	.50	1.000	.466	.840	SCHEDULE 40 ONLY	.344	5/16-18	210	5/16-18X1.25
W27-12-SS	W25-12-SS	.75	.75	1.69	2.56	.875	1.875	1.06	.50	1.250	.616	1.050		.406	3/8-16	214	3/8-16X1.25
W27-16-SS	W25-16-SS	1.00	1.00	1.94	2.75	1.031	2.062	1.25	.56	1.560	.817	1.315		.406	3/8-16	219	3/8-16X1.25
W27-20-SS	W25-20-SS	1.25	1.25	2.19	3.12	1.188	2.312	1.44	.62	1.750	1.162	1.660		.469	7/16-14	222	7/16-14X1.50
W27-24-SS	W25-24-SS	1.50	1.50	2.56	3.69	1.406	2.750	1.75	.81	2.115	1.339	1.900		.531	1/2-13	225	1/2-13X1.75
W27-32-SS	W25-32-SS	2.00	2.00	3.06	4.00	1.688	3.062	2.00	1.06	2.490	1.691	2.375		.531	1/2-13	228	1/2-13X2.00
W27-40-SS	W25-40-SS	2.50	2.50	3.56	4.50	2.000	3.500	2.31	1.12	2.995	2.127	2.875		.531	1/2-13	232	1/2-13X2.00
W27-48-SS	W25-48-SS	3.00	3.00	4.19	5.31	2.438	4.188	2.75	1.62	3.615	2.626	3.500		.656	5/8-11	237	5/8-11X2.75