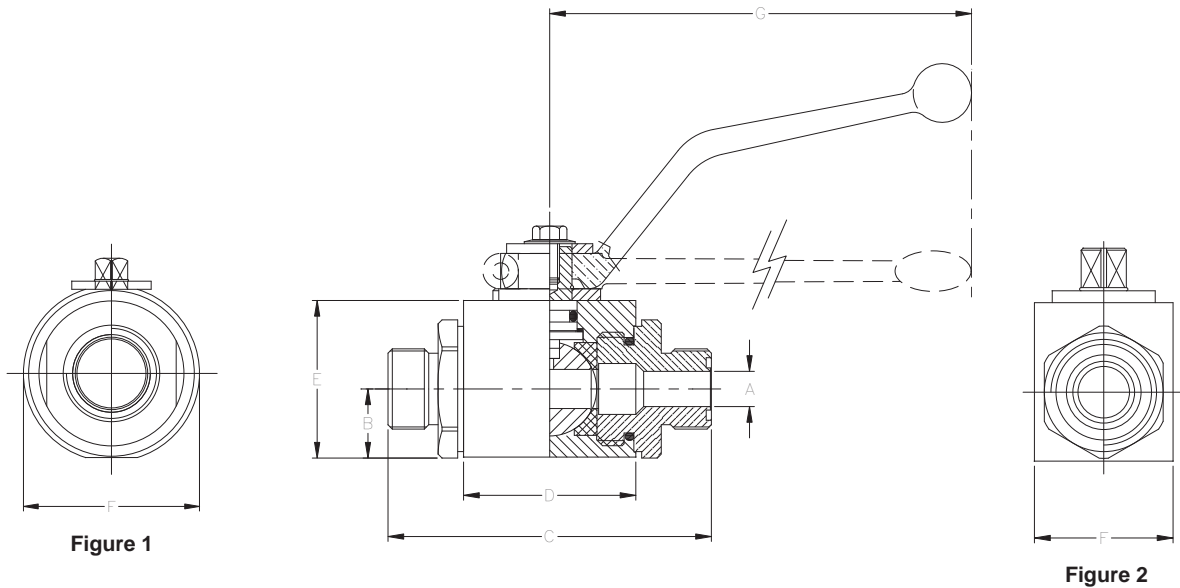


AE20F/AB20F Series / Two-Way ORFS Connection



- Male ORFS SAE J1453 connection eliminates leak points and costly fittings while reducing overall valve length
- Carbon steel construction with Zinc Dichromate plating
- POM seats & Buna O-rings standard on carbon steel valves
- Optional seal materials available for extreme temperature applications & fluid compatibility (Consult Factory)



Standard handles supplied are:

1/2"
3/4" - 1"

C1010ZB
C1200ZB

Refer to page 47 for details.

1-1/4" - 1-1/2"

C81302B

AE20F/AB20F SERIES									
SERIES	PSI MAX	A BORE	B	C	D	E	F	G	BODY TYPE
AE20F#8	7250	.51	.71	3.37	1.89	1.69	1.46	4.31	FIG 2
AE20F#12	5800	.79	.91	4.89	2.44	2.17	1.77	7.00	FIG 2
AE20F#16	5075	.98	1.14	5.13	2.60	2.56	2.17	7.00	FIG 2
AB20F#20	5075	1.02	1.62	4.92	2.95	3.25	3.46	11.69	FIG 1
AB20F#24	5075	1.26	1.67	6.15	3.35	3.84	4.02	11.69	FIG 1

O-Ring Face Seal threads in accordance with SAE J1453 Style "B" specifications.



AE20F/AB20F Series / Two-Way ORFS Connection

Model Code Breakdown

AE20F #12 - 1 1 D B _

Valve Series

AE20F	Block Body ORFS
AB20F	Round Body ORFS

Connection Size

1	Carbon Steel
---	--------------

Ball & Stem Material

1	Carbon Steel
---	--------------

• **Locking Kit or Optional Handle Code**
(See pages 42 & 43)

• **Adapter & Stem Seals**

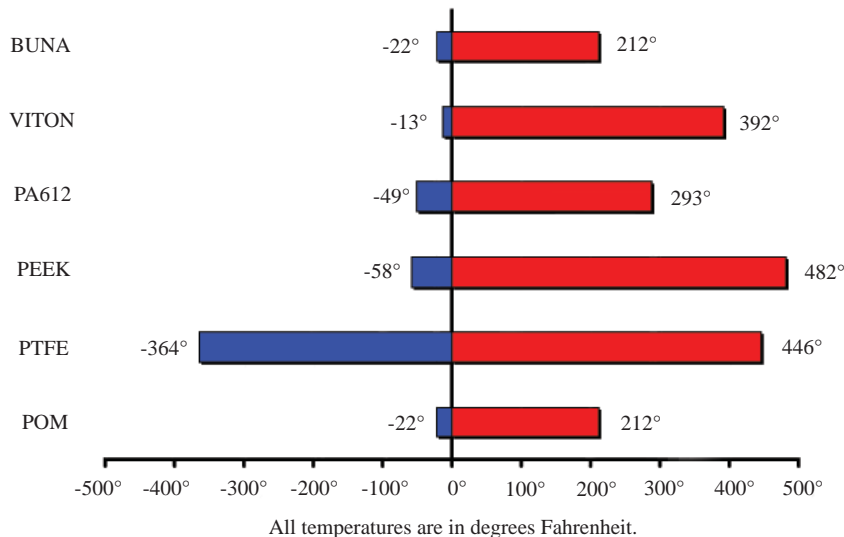
B	Buna- Standard
V	Viton

• **Ball & Stem Seats**

D	POM- Standard
P	PEEK
N	PA612
X	PTFE w/metallic insert

- Please consult your system's seal manufacturer for recommendation of seal selection, as Anchor Fluid Power does not accept responsibility for seal selection.

MAXIMUM & MINIMUM WORKING TEMPERATURES FOR SEAL MATERIALS



FLOW, NEEDLE & CHECK VALVES

HYDRAULIC BALL VALVES

WELD COUPLINGS

FLANGES