

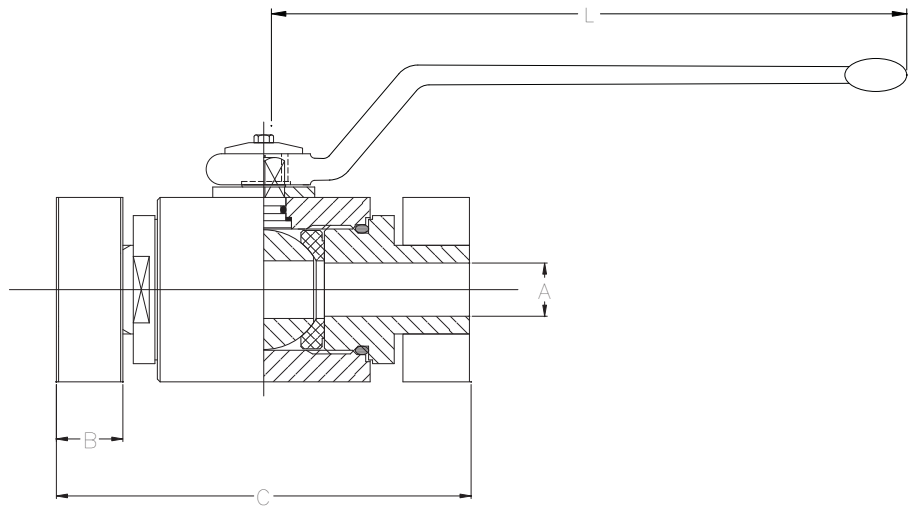
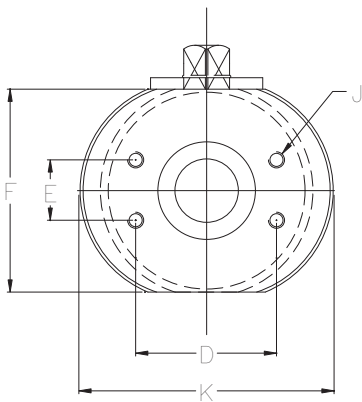
ABF Series / Two-Way Round Body Flat Face



- Carbon steel construction with Silver Trivalent plating
- 316 stainless steel available from stock
- POM seats & Buna O-rings standard on carbon steel valves
- Optional seal materials available for extreme temperature applications & fluid compatibility (Consult Factory)

FLOW, NEEDLE & CHECK VALVES

HYDRAULIC BALL VALVES



Standard handle supplied is C92501Z-SW17. Refer to page 47 for details.

WELD COUPLINGS

FLANGES

ABF SERIES - CODE 61											
SERIES	PSI MAX	A BORE	B	C	D	E	F	J	K	L	WEIGHT
ABF3#20	4000	1.26	1.26	6.77	2.31	1.19	3.66	7/16-14	4.13	11.69	14.3 LBS
ABF3#24	3000	1.50	1.26	6.97	2.75	1.41	4.21	1/2-13	4.72	11.69	20.6 LBS
ABF3#32	3000	1.89	1.34	7.72	3.06	1.69	4.49	1/2-13	5.71	11.69	28.0 LBS

ABF SERIES - CODE 62											
SERIES	PSI MAX	A BORE	B	C	D	E	F	J	K	L	WEIGHT
ABF6#20	5000	1.26	1.26	6.77	2.63	1.25	3.66	1/2-13	4.13	11.69	14.2 LBS
ABF6#24	5000	1.50	1.26	6.97	3.13	1.44	4.21	5/8-11	4.72	11.69	20.3 LBS
ABF6#32	5000	1.89	1.34	7.72	3.81	1.75	4.49	3/4-10	5.71	11.69	27.6 LBS



ABF Series / Two-Way Round Body Flat Face

Model Code Breakdown

ABF3 #32 - 1 1 D B

Valve Series

ABF3	Code 61
ABF6	Code 62

Connection Size

Body & Adapter Material

1	Carbon Steel
2	316 Stainless Steel

Ball & Stem Material

1	Carbon Steel
2	316 Stainless Steel

Locking Kit or Optional Handle Code

(See pages 42 & 43)

Adapter & Stem Seals

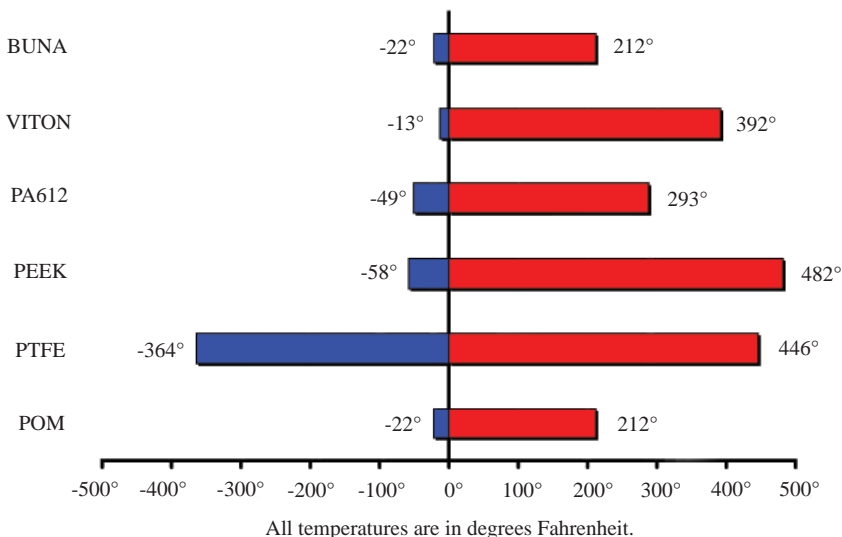
B	Buna- Standard
V	Viton (Std on S/S)

Ball & Stem Seats

D	POM- Standard
P	PEEK
N	PA612
X	PTFE w/metallic insert

- Please consult your system's seal manufacturer for recommendation of seal selection, as Anchor Fluid Power does not accept responsibility for seal selection.

MAXIMUM & MINIMUM WORKING TEMPERATURES FOR SEAL MATERIALS



FLOW, NEEDLE & CHECK VALVES

HYDRAULIC BALL VALVES

WELD COUPLINGS

FLANGES