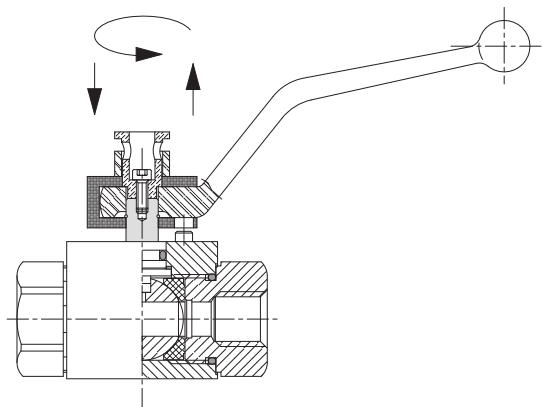
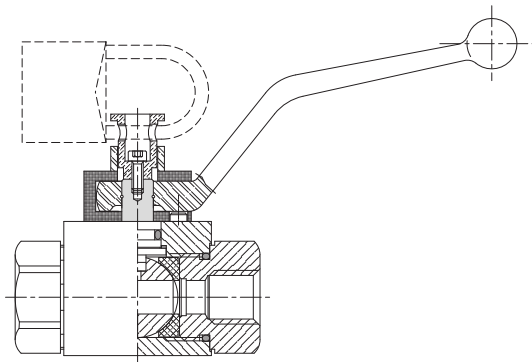


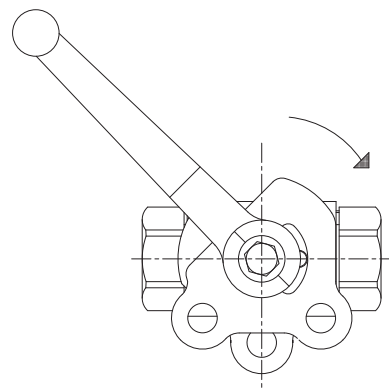
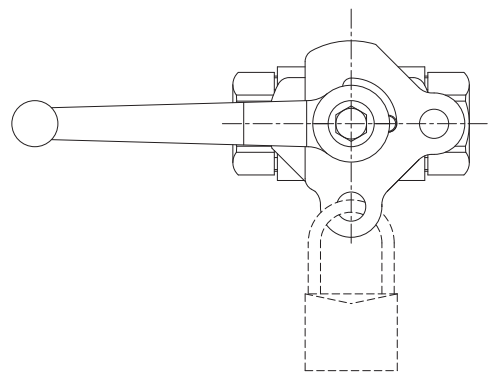
LOCKING KITS AVAILABLE FROM STOCK			
Part Number	Valve Size	Material	Suffix*
LK6	1/8" - 1/2"	Carbon Steel	L
LK20	3/4" - 1"	Carbon Steel	L
LK32	1 1/4" - 2"	Carbon Steel	L
LK6-S/S	1/8" - 1/2"	Stainless Steel	L
LK20-S/S	3/4" - 1"	Stainless Steel	L
LK32-S/S	1 1/4" - 2"	Stainless Steel	L
G6	1/8" - 1/2"	Carbon Steel	G
G20	3/4" - 1"	Carbon Steel	G

\*Add this suffix to the end of the valve part # to receive the corresponding locking kit for that size valve- *installed at the factory*. Carbon steel valves receive carbon steel locking kits. Stainless steel valves receive stainless locking kits.

**“G” Style Lock**



**“L” Style Lock**



Proprietary tamper proof fasteners are available upon request making locking kit removal more difficult. Consult factory for details concerning tamper proof fastener options.