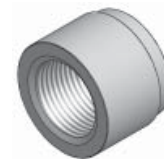
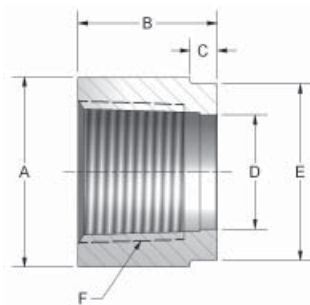
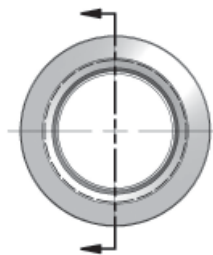
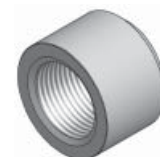
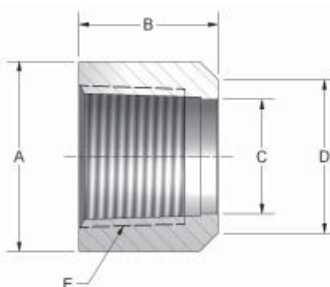
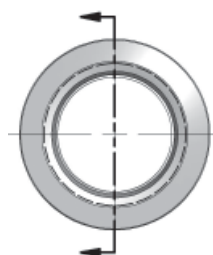


# NPTF Half Couplings



NPTF HALF COUPLING							
CARBON STEEL PART NO.	STAINLESS STEEL PART NO.	A	B	C	D	E	F NPTF
845-4	845-4-SS	.88	1.06	.250	.391	.750	1/4-18
845-6	845-6-SS	1.00	1.00	.250	.563	.875	3/8-18
845-8	845-8-SS	1.25	1.06	.250	.650	1.125	1/2-14
845-12	845-12-SS	1.50	1.28	.250	.850	1.375	3/4-14
845-16	845-16-SS	1.75	1.28	.250	1.050	1.625	1-11.5
845-20	845-20-SS	2.25	1.28	.250	1.420	2.125	1 1/4-11.5
845-24	845-24-SS	2.75	1.28	.250	1.560	2.500	1 1/2-11.5
845-32	845-32-SS	3.25	1.50	.250	2.125	3.000	2-11.5

- AISI1020 CARBON STEEL
- 316L STAINLESS STEEL
- INCLUDES INDIVIDUAL THREAD IDENTIFICATION MARKING
- ADDITIONAL THREAD SIZES AND CONFIGURATIONS AVAILABLE



NPTF HALF COUPLING BEVEL						
CARBON STEEL PART NO.	STAINLESS STEEL PART NO.	A	B	C	D	E NPTF
845B-4	845B-4-SS	.88	1.06	.391	.570	1/4-18
845B-6	845B-6-SS	1.00	1.00	.520	.690	3/8-18
845B-8	845B-8-SS	1.25	1.06	.650	.870	1/2-14
845B-12	845B-12-SS	1.50	1.28	.850	1.160	3/4-14
845B-16	845B-16-SS	1.75	1.28	1.050	1.410	1-11.5
845B-20	845B-20-SS	2.25	1.28	1.420	1.720	1 1/4-11.5
845B-24	845B-24-SS	2.75	1.28	1.560	1.980	1 1/2-11.5
845B-32	845B-32-SS	3.25	1.50	2.125	2.600	2-11.5

- AISI1020 CARBON STEEL
- 316L STAINLESS STEEL
- INCLUDES INDIVIDUAL THREAD IDENTIFICATION MARKING
- ADDITIONAL THREAD SIZES AND CONFIGURATIONS AVAILABLE

FLOW, NEEDLE & CHECK VALVES

HYDRAULIC BALL VALVES

WELD COUPLINGS

FLANGES