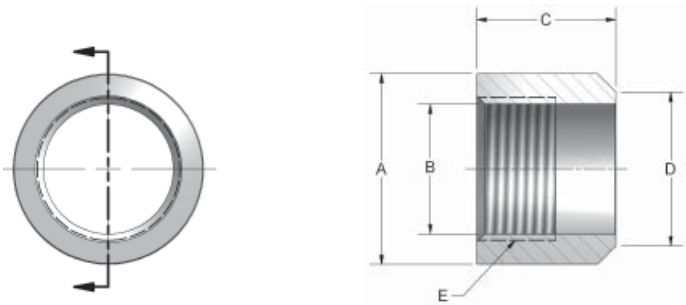


BSPP HALF COUPLING							
CARBON STEEL PART NO.	STAINLESS STEEL PART NO.	A	B	C	D	E	F BSPP
855-4	855-4-SS	.88	.451	1.00	.250	.750	1/4-19
855-6	855-6-SS	1.00	.589	1.00	.250	.875	3/8-19
855-8	855-8-SS	1.25	.734	1.06	.250	1.125	1/2-14
855-12	855-12-SS	1.50	.950	1.28	.250	1.375	3/4-14
855-16	855-16-SS	1.75	1.193	1.28	.250	1.625	1-11
855-20	855-20-SS	2.25	1.534	1.28	.250	2.125	1 1/4-11
855-24	855-24-SS	2.75	1.766	1.28	.250	2.500	1 1/2-11
855-32	855-32-SS	3.25	2.231	1.50	.250	3.000	2-11

- AISI1020 CARBON STEEL
- 316L STAINLESS STEEL
- INCLUDES INDIVIDUAL THREAD IDENTIFICATION MARKING
- ADDITIONAL THREAD SIZES AND CONFIGURATIONS AVAILABLE



BSPP HALF COUPLING BEVEL						
CARBON STEEL PART NO.	STAINLESS STEEL PART NO.	A	B	C	D	E BSPP
855B-4	855B-4-SS	.88	.451	1.00	.570	1/4-19
855B-6	855B-6-SS	1.00	.589	1.00	.690	3/8-19
855B-8	855B-8-SS	1.25	.734	1.06	.870	1/2-14
855B-12	855B-12-SS	1.50	.950	1.28	1.160	3/4-14
855B-16	855B-16-SS	1.75	1.193	1.28	1.410	1-11
855B-20	855B-20-SS	2.25	1.534	1.28	1.720	1 1/4-11
855B-24	855B-24-SS	2.75	1.766	1.28	1.980	1 1/2-11
855B-32	855B-32-SS	3.25	2.231	1.50	2.600	2-11

- AISI1020 CARBON STEEL
- 316L STAINLESS STEEL
- INCLUDES INDIVIDUAL THREAD IDENTIFICATION MARKING
- ADDITIONAL THREAD SIZES AND CONFIGURATIONS AVAILABLE

FLOW, NEEDLE & CHECK VALVES

HYDRAULIC BALL VALVES

WELD COUPLINGS

FLANGES