

Figure 1

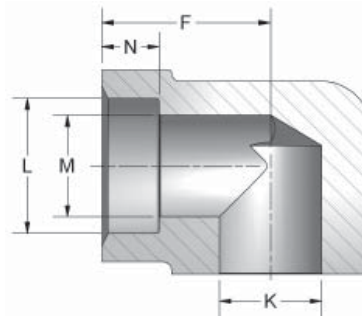
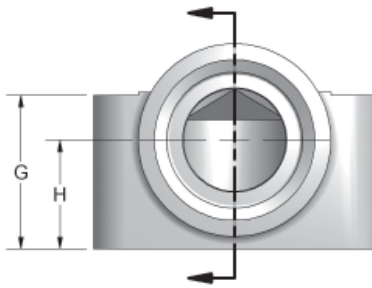


Figure 2

CODE 61 ELBOW SOCKET WELD - PIPE

| PART NO. O-RING FIG. 1 | PART NO. FLAT FACE FIG. 2 | PAD SIZE | A | B | C | D | E | F | G | H | J | K | L | M | N | P | R UNC-2B | MOUNTING HARDWARE | |
|------------------------------|---------------------------------|-------------|------|------|-------|-------|------|------|------|-------|-------|-------|-------|------|-----|------|-------------|----------------------|--------------|
| | | | | | | | | | | | | | | | | | | O-RING | SHCS |
| W176-12-12 | W169-12-12 | .75 | 1.69 | 2.56 | .875 | 1.875 | 2.28 | 1.44 | 1.25 | .875 | 1.250 | .752 | 1.062 | .75 | .56 | .406 | 3/8-16 | 214 | 3/8-16X2.00 |
| W176-16-16 | W169-16-16 | 1.00 | 1.94 | 2.75 | 1.031 | 2.062 | 2.62 | 1.66 | 1.50 | 1.062 | 1.560 | 1.002 | 1.328 | 1.00 | .56 | .406 | 3/8-16 | 219 | 3/8-16X2.25 |
| W176-20-20 | W169-20-20 | 1.25 | 2.19 | 3.12 | 1.188 | 2.312 | 3.00 | 1.91 | 1.81 | 1.188 | 1.750 | 1.252 | 1.672 | 1.25 | .62 | .469 | 7/16-14 | 222 | 7/16-14X2.75 |
| W176-24-24 | W169-24-24 | 1.50 | 2.56 | 3.69 | 1.406 | 2.750 | 3.33 | 2.05 | 2.00 | 1.312 | 2.115 | 1.502 | 1.922 | 1.50 | .69 | .531 | 1/2-13 | 225 | 1/2-13X3.00 |
| W176-32-32 | W169-32-32 | 2.00 | 3.06 | 4.33 | 1.688 | 3.062 | 3.81 | 2.28 | 2.50 | 1.656 | 2.490 | 2.002 | 2.406 | 2.00 | .75 | .531 | 1/2-13 | 228 | 1/2-13X3.50 |
| W176-40-40 | W169-40-40 | 2.50 | 3.56 | 5.00 | 2.000 | 3.500 | 4.66 | 2.88 | 2.78 | 1.900 | 2.995 | 2.502 | 2.906 | 2.50 | .75 | .531 | 1/2-13 | 232 | 1/2-13X5.00 |
| W176-48-48 | W169-48-48 | 3.00 | 4.00 | 5.50 | 2.438 | 4.188 | 5.00 | 3.00 | 3.35 | 2.400 | 3.615 | 3.002 | 3.547 | 3.00 | .75 | .656 | 5/8-11 | 237 | 5/8-11X6.00 |

CODE 62 ELBOW SOCKET WELD - PIPE

| PART NO. O-RING FIG. 1 | PART NO. FLAT FACE FIG. 2 | PAD SIZE | A | B | C | D | E | F | G | H | J | K | L | M | N | P | R UNC-2B | MOUNTING HARDWARE | |
|------------------------------|---------------------------------|-------------|------|------|-------|-------|------|------|------|-------|-------|-------|-------|------|-----|------|-------------|----------------------|--------------|
| | | | | | | | | | | | | | | | | | | O-RING | SHCS |
| W186-12-12 | W189-12-12 | .75 | 1.94 | 2.75 | .937 | 2.000 | 2.62 | 1.66 | 1.50 | 1.062 | 1.250 | .752 | 1.062 | .75 | .56 | .406 | 3/8-16 | 214 | 3/8-16X2.25 |
| W186-16-16 | W189-16-16 | 1.00 | 2.19 | 3.12 | 1.093 | 2.250 | 3.00 | 1.91 | 1.81 | 1.188 | 1.560 | 1.002 | 1.328 | 1.00 | .62 | .492 | 7/16-14 | 219 | 7/16-14X2.50 |
| W186-20-20 | W189-20-20 | 1.25 | 2.56 | 3.69 | 1.250 | 2.625 | 3.32 | 2.05 | 2.00 | 1.312 | 1.750 | 1.252 | 1.672 | 1.25 | .69 | .531 | 1/2-13 | 222 | 1/2-13X3.00 |
| W186-24-24 | W189-24-24 | 1.50 | 3.06 | 4.33 | 1.437 | 3.125 | 3.81 | 2.28 | 2.50 | 1.656 | 2.115 | 1.502 | 1.922 | 1.50 | .75 | .656 | 5/8-11 | 225 | 5/8-11X3.50 |
| W186-32-32 | W189-32-32 | 2.00 | 3.56 | 5.00 | 1.750 | 3.812 | 4.66 | 2.88 | 2.69 | 1.900 | 2.490 | 2.002 | 2.406 | 2.00 | .75 | .781 | 3/4-10 | 228 | 3/4-10X4.50 |

FLOW, NEEDLE & CHECK VALVES

HYDRAULIC BALL VALVES

WELD COUPLINGS

FLANGES